



Holiday Inn Express



Spectral 127
Window Wall Systems

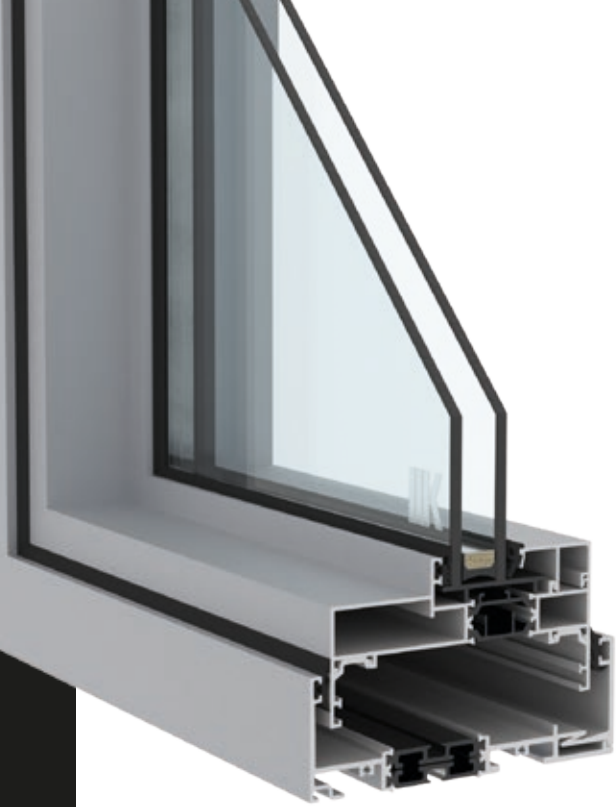
high thermal performance
maximum energy efficiency.

USA



KLEIDCO®

high thermal performance
maximum energy efficiency.



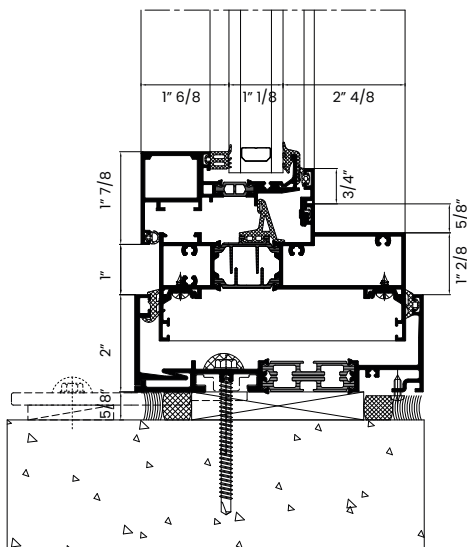
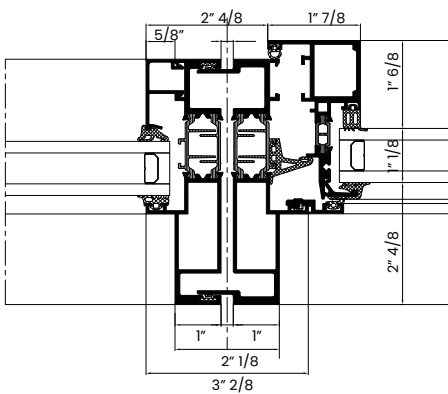
Spectral 127: Introducing Spektral 127: Your Ultimate Window Wall Solution

Versatility: Spectral 127 is a highly versatile window wall system, perfect for a wide range of architectural projects, from modern offices to residential complexes. Its modular design allows for flexible configurations to suit any aesthetic.

High Thermal Performance: Designed with advanced thermal break technology, Spectral 127 delivers exceptional energy efficiency, reducing heat transfer and lowering utility costs while maintaining comfortable indoor temperatures.

Adaptable with Doors: Seamlessly integrate doors with Spectral 127 for a cohesive design. From sliding to swing doors, this system ensures a smooth transition between indoor and outdoor spaces without compromising performance.

Four-Side Captured with Receptors: Featuring a four-side captured design with receptors, Spectral 127 offers superior structural integrity, weather resistance, and security, making it ideal for challenging environments and high-wind zones



Technical Properties

System Visible Width	Frame	2"
	Vent	3/4" - 1" 5/8
System Depth	Frame	5"
	Fix	1" - 2"
Max. Glazing Thickness	Window	7/8" - 1" 3/8
	Frame	1" 3/8

Performance Values

	EN 12207	Air Permeability	Npa
	EN 12208	Water Tightness	Npa
	EN 12210	Wind Load Resistance	Npa
	EN 12210	Safety Wind Load Resistance	Npa
	EN 1627-1630	Burglar Resistance	RC1/RC2
		Thermal Insulation	Uf: Btu 0,36/(h.ft ² .F)

KLEIDCO
part of SARAY

KLEIDCO Building Solutions

33 Nassau Ave.

Brooklyn, NY 11222

usa.kleidco.com | +1 916-875-2235

